

# ChargePoint® CPF25 Level 2 Charging Stations

## Specifications and Ordering Information

### Ordering Information

Specify by order code(s).

Description		Order Code
Model	Single Wall Mount, 5.4 m (18') Cord	CPF25-L18
	Single Pedestal Mount, 5.4 m (18') Cord	CPF25-L18-PD
	Two Stations with Dual Pedestal Mount, 5.4 m (18') Cord	CPF25-L18-PD-Dual
	Single Wall Mount, 5.4 m (18') Cord and Cord Management Kit	CPF25-L18-CMK6
	Single Pedestal Mount, 5.4 m (18') Cord and Cord Management Kit	CPF25-L18-CMK6-PD
	Two Stations with Dual Pedestal Mount, 5.4 m (18') Cord and Cord Management Kit	CPF25-L18-CMK6-PD-Dual
	Single Wall Mount, 7.0 m (23') Cord	CPF25-L23
	Single Pedestal Mount, 7.0 m (23') Cord	CPF25-L23-PD
	Two Stations with Dual Pedestal Mount, 7.0 m (23') Cord	CPF25-L23-PD-Dual
	Single Wall Mount, 7.0 m (23') Cord and Cord Management Kit	CPF25-L23-CMK8
	Single Pedestal Mount, 7.0 m (23') Cord and Cord Management Kit	CPF25-L23-CMK8-PD
	Two Stations with Dual Pedestal Mount, 7.0 m (23') Cord and Cord Management Kit	CPF25-L23-CMK8-PD-Dual
Replacement Cord	5.4 m (18'), 32 A Charging Cord	CPF25CORD-L18-F
	7.0 m (23'), 32 A Charging Cord	CPF25CORD-L23-F



ChargePoint CPF25  
Two Stations with Dual  
Pedestal Mount and  
Cord Management Kit



The First  
**ENERGY STAR®**  
Certified EV Charger

## Ordering Information (continued)

### Required Companion Products

Description	Order Code
ChargePoint Gateway USA* (1 required for every 9 stations)	CPGW1
ChargePoint Gateway Canada* (1 required for every 9 stations)	CPGW2

\* Provides cellular connectivity only to ChargePoint CPF25 stations. ChargePoint certified installers will do a site validation and order the ChargePoint Gateway as needed. As part of the make-ready, the site host needs to provide a location within 46 m (150') line of sight of the ChargePoint stations with adequate cellular coverage. In addition, the site host is responsible for providing power to the gateway. The ChargePoint Gateway is owned and maintained by ChargePoint.

### Companion Products for Fleet Applications

For fleet applications, CPF25 stations require the purchase of the Fleet Plan cloud service.

Description	Order Code
Fleet Plan (1, 2, 3, 4 or 5 years) (required)	CPCLD-FLEET- <i>n</i> <sup>1</sup>
Station Initial Activation (recommended)	CPSUPPORT-ACTIVE
ChargePoint Assure (recommended)	CPF25-ASSURE- <i>n</i> <sup>2</sup>

Comes with 1 year of ChargePoint Assure coverage at no charge for qualified installations. Other conditions apply.

<sup>1</sup>Substitute *n* for desired years of service (1, 2, 3, 4 or 5 years)

<sup>2</sup>Substitute *n* for the duration of additional coverage (1, 2, 3 or 4 years)

### Companion Products for Multi-Family Applications

For multi-family applications, CPF25 stations may only be purchased for use in properties that have signed the ChargePoint Electric Vehicle Charging Services Agreement.

Description	Order Code
Site Initial Activation (required)	CPMFHS-ACTIVE

Includes a 3 year parts exchange warranty ("Parts Warranty"). Additionally, for as long as the resident subscribes to Multi-Family Home Service Plan, ChargePoint will provide on-site labor to maintain the stations ("Maintenance Service"). The maintenance service does not provide coverage for abuse, vandalism, damage or other problems caused by accidents or negligence.

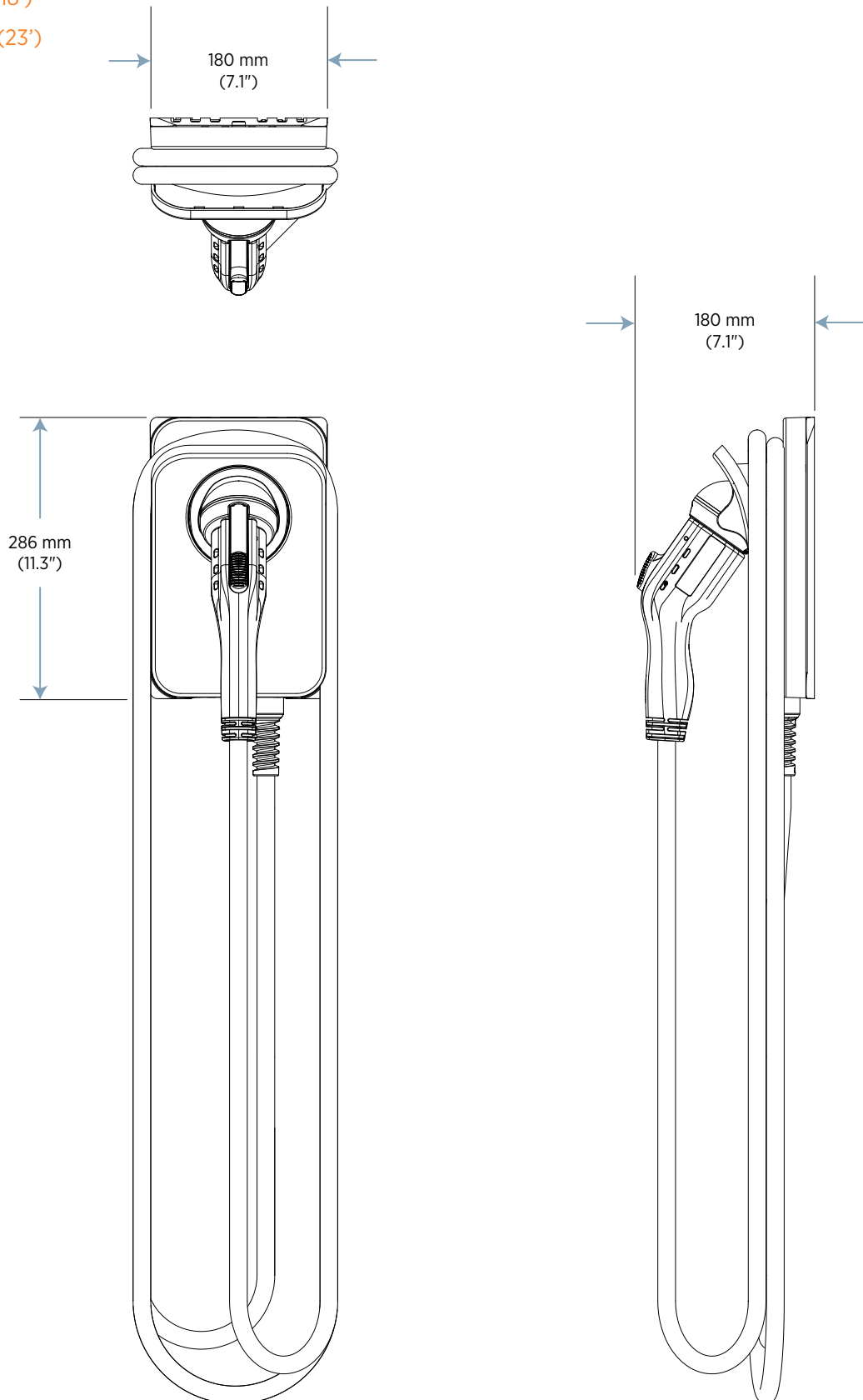


ChargePoint CPF25  
Single Wall Mount

### Single Wall Mount

CPF25-L18 5.4 m (18')

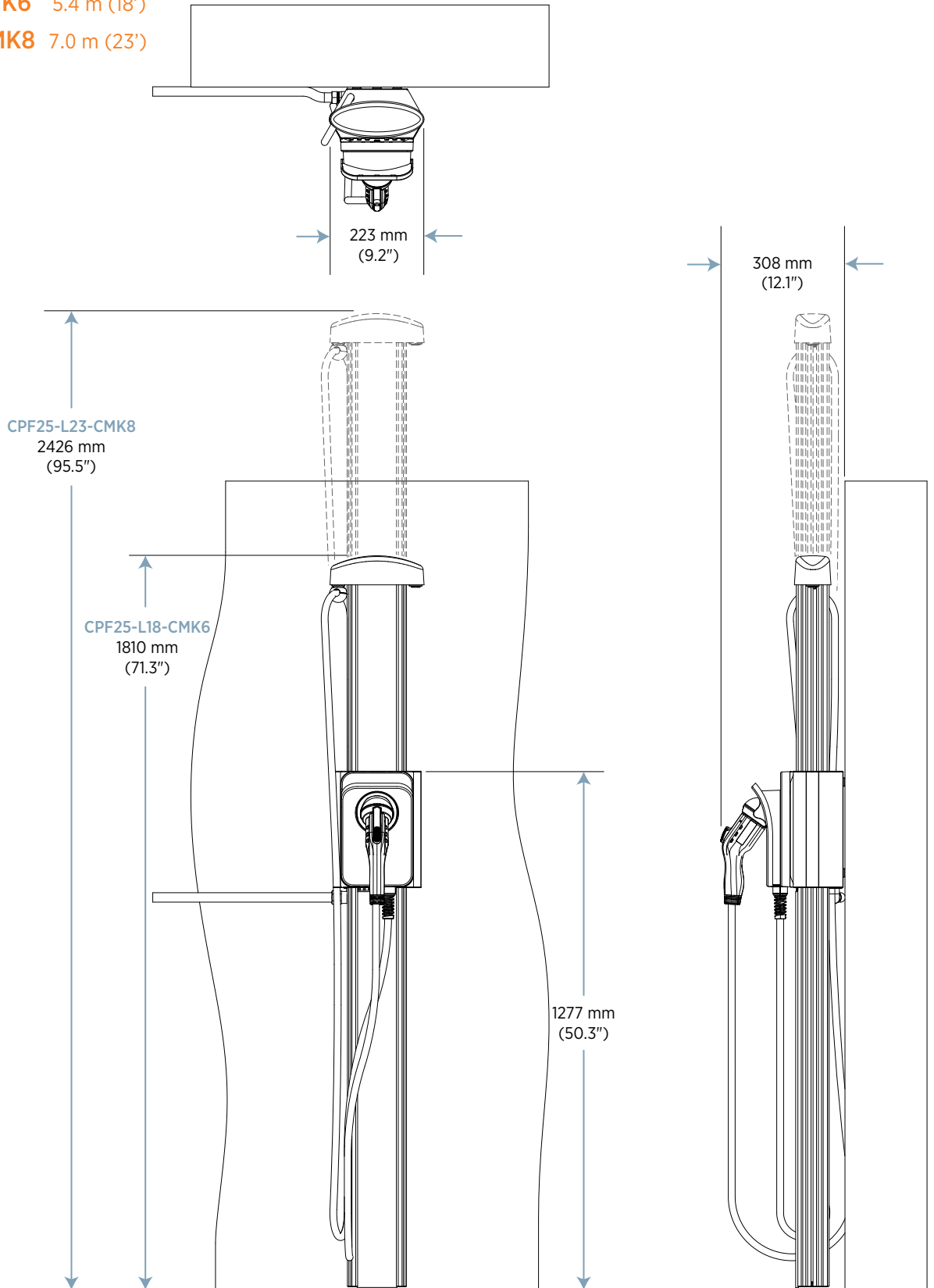
CPF25-L23 7.0 m (23')



## Single Wall Mount with Cord Management Kit

CPF25-L18-CMK6 5.4 m (18')

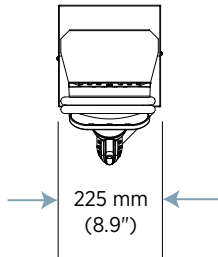
CPF25-L23-CMK8 7.0 m (23')



### Single Pedestal Mount

CPF25-L18-PD 5.4 m (18')

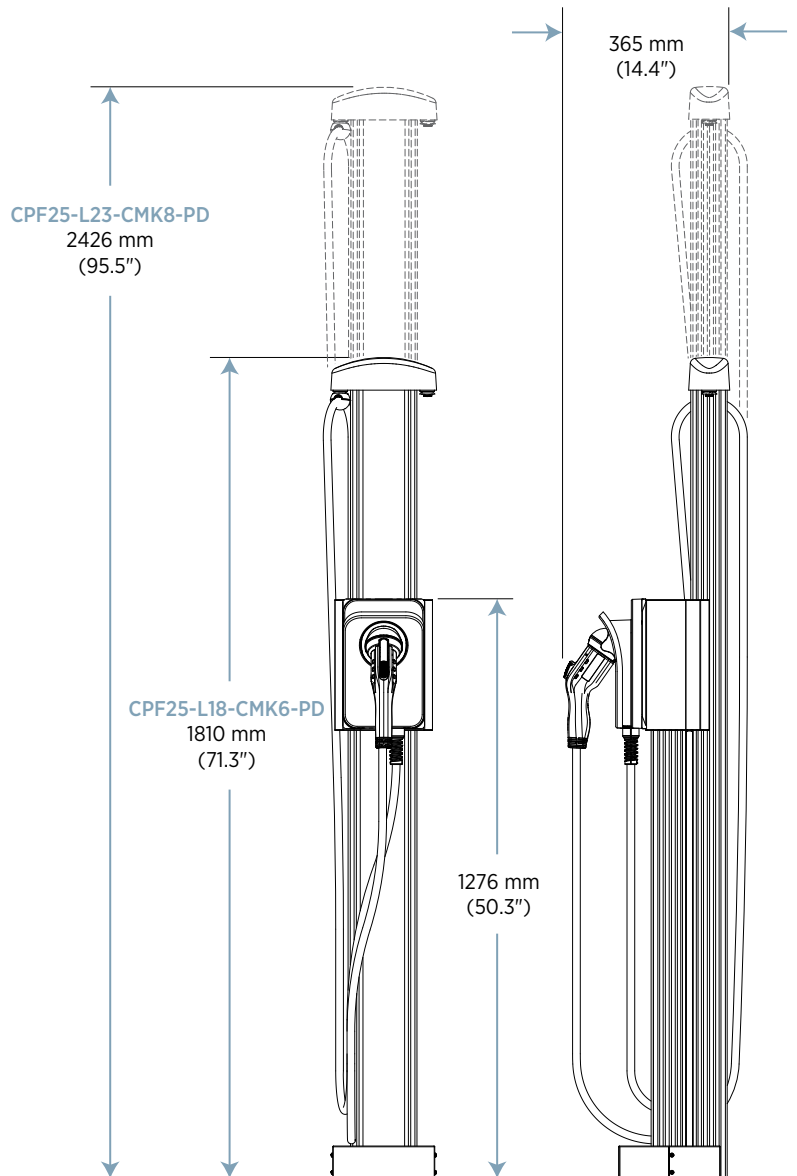
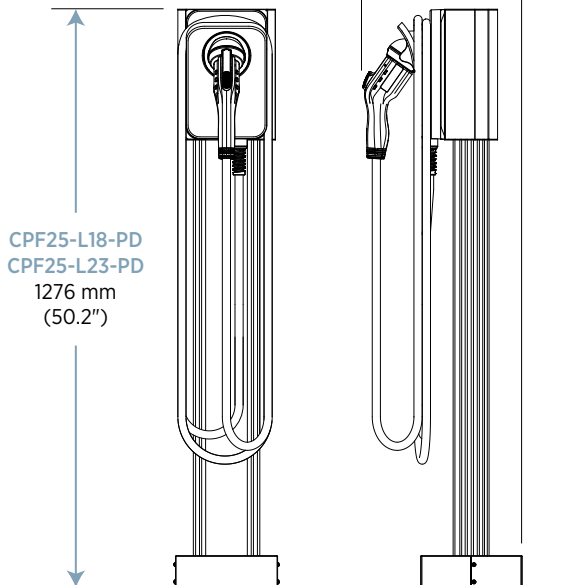
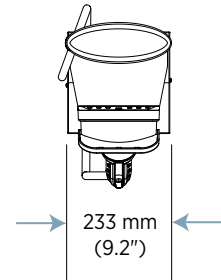
CPF25-L23-PD 7.0 m (23')



### Single Pedestal Mount with Cord Management Kit

CPF25-L18-CMK6-PD 5.4 m (18')

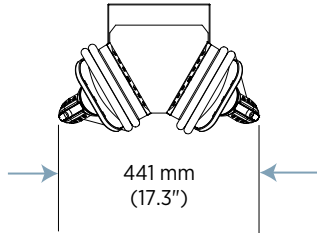
CPF25-L23-CMK8-PD 7.0 m (23')



### Two Stations with Dual Pedestal Mount

CPF25-L18-PD-DUAL 5.4 m (18')

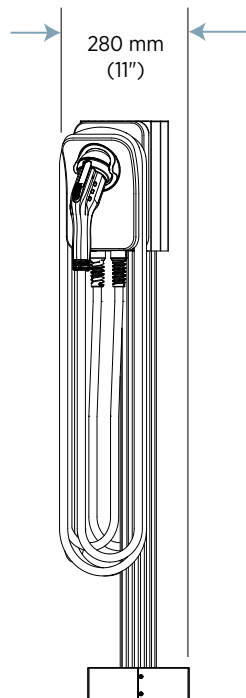
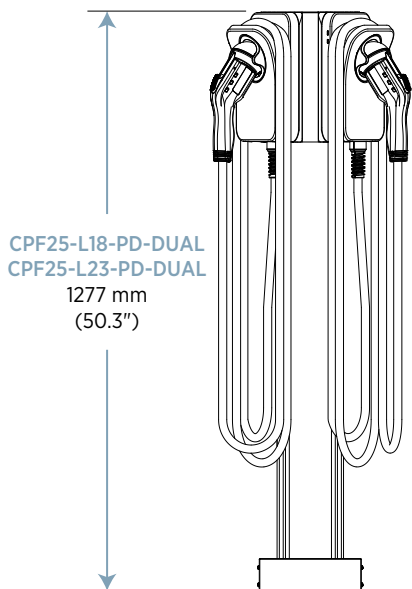
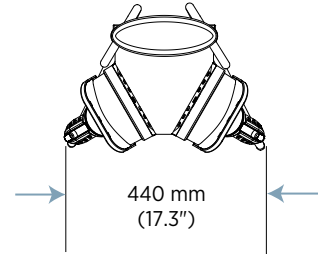
CPF25-L23-PD-DUAL 7.0 m (23')



### Two Stations with Dual Pedestal Mount and Cord Management Kit

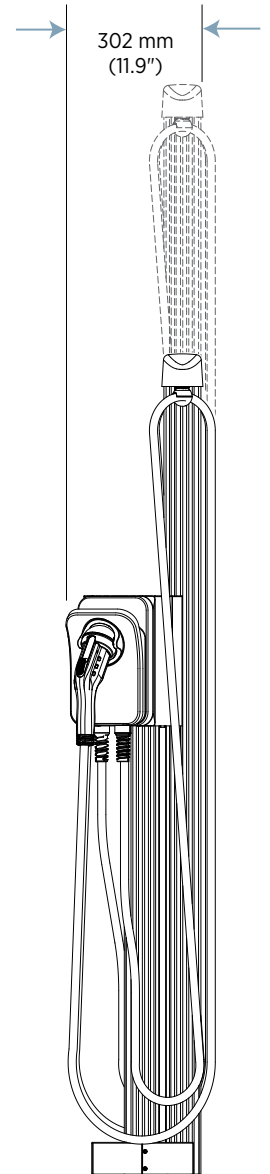
CPF25-L18-CMK6-PD-DUAL 5.4 m (18')

CPF25-L23-CMK8-PD-DUAL 7.0 m (23')



CPF25-L23-CMK8-PD-DUAL  
2426 mm (95.5")

CPF25-L18-CMK6-PD-DUAL  
1810 mm (71.3")



## Specifications

Electrical Input	One Station (AC Voltage 208 / 240 V AC)			Two Stations (AC Voltage 208 / 240 V AC)		
	Input Current	Input Power Connection	Required Service Panel Breaker	Input Current	Input Power Connection	Required Service Panel Breaker
Standard	32 A	One 40 A branch circuit	40 A dual pole (non-GFCI type)	32 A X 2	Two independent 40 A branch circuits	40 A dual pole (non-GFCI type) x 2
Standard Power Share	n/a	n/a	n/a	32 A	One 40 A branch circuit	40 A dual pole (non-GFCI type)
Power Select 16 A	16 A	One 20 A branch circuit	20 A dual pole (non-GFCI type)	16 A x 2	Two independent 20 A branch circuits	20 A dual pole (non-GFCI type) x 2
Service Panel GFCI	Do not provide external GFCI as it may conflict with internal GFCI (CCID)					
Wiring - Standard	3 Wire - L1, L2 plus Earth (no neutral)			5-wire (L1, L1, L2, L2, Earth)		
Wiring - Power Share	n/a			3-wire (L1, L2, Earth)		
Station Power	2.5 W typical (standby), 4 W maximum (operation)			5 W typical (standby), 8 W maximum (operation)		

## Electrical Output

Standard	7.7 kW (240 V AC @ 32 A)
----------	--------------------------

## Functional Interfaces

Connector Type	SAE J1772™
Cable Length - 1.8 m (6') Cable Management	5.4 m (18')
Cable Length - 2.4 m (8') Cable Management	7.0 m (23')
Overhead Cable Management System	Yes
Card Reader	ISO 15693 and ISO 14443

## Safety and Connectivity Features

Ground Fault Detection	20 mA CCID with auto retry
Open Safety Ground Detection	Continuously monitors presence of safety (green wire) ground connection
Plug-Out Detection	Power terminated per SAE J1772™ specifications
Power Measurement Accuracy	+/- 2% from 2% to full scale (32 A)
Power Report/Store Interval	15 minute, aligned to hour
Local Area Network	2.4/5 GHz Wi-Fi (802.11 a/b/g/n)
Wide Area Network	3G GSM, 3G CDMA provided by the ChargePoint Gateway CPGWx

## Safety and Operational Ratings

Enclosure Ratings	Type 3R per UL 50E
Safety and Compliance	UL and C-UL listed product per UL2594, UL2231-1, UL2231-2. NEC Article 625 compliant UL and C-UL listed per UL916 Energy Management Equipment
Surge Protection	6 kV @ 3000 A. In geographic areas subject to frequent thunder storms, supplemental surge protection at the service panel is recommended.
EMC Compliance	FCC Part 15 Class B
Storage Temperature	-40°C to +60°C (-40°F to 140°F)
Operating Temperature	-30°C to +50°C (-22°F to 122°F)
Operating Humidity	Up to 85% @ +50°C (122°F) non-condensing
Non-Operating Humidity	Up to 95% @ +50°C (122°F) non-condensing
Maximum Charging Stations per 802.11 Radio Group	9 maximum. Each station must be located within 46 m (150') "line of sight" of a CPGWx gateway.




## Indicators

WiFi LED	Yes
Fault Indicator per UL	Yes
Status LED	Yes

ChargePoint, Inc. reserves the right to alter product offerings and specifications at any time without notice, and is not responsible for typographical or graphical errors that may appear in this document.

## Contact Us

To order your ChargePoint CPF25 charging station:

-  Visit [chargepoint.com/sales](https://chargepoint.com/sales)
-  Call +1.408.705.1992
-  Email [sales@chargepoint.com](mailto:sales@chargepoint.com)



ChargePoint, Inc.  
254 E Hacienda Avenue | Campbell, CA | 95008-6617 USA  
+1.408.841.4500 or toll free +1.877.370.3802  
[chargepoint.com](https://chargepoint.com)

Copyright © 2017 ChargePoint, Inc. All rights reserved. CHARGEPOINT is a U.S. registered trademark/service mark, and an EU registered logo mark of ChargePoint, Inc. All other products or services mentioned are the trademarks, service marks, registered trademarks or registered service marks of their respective owners. DS-CPF25-04. June 2017. PN 73-001083-01-5.

Printed on paper made with 100% post-consumer fiber and 100% certified renewable energy, and processed chlorine free.

Listed by Underwriters  
Laboratories Inc.

